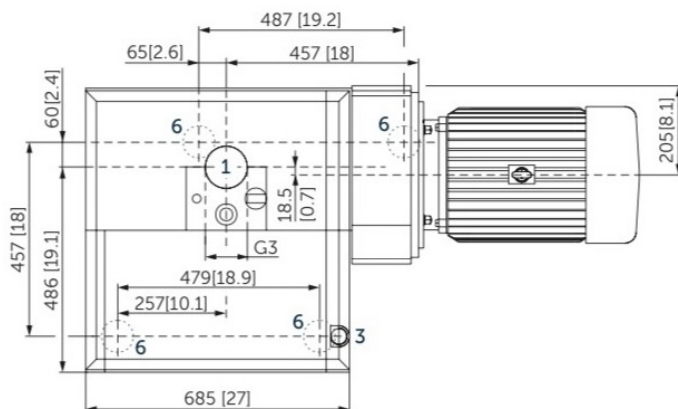
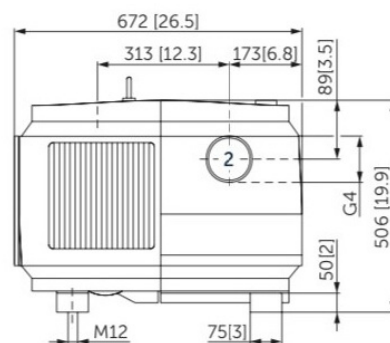
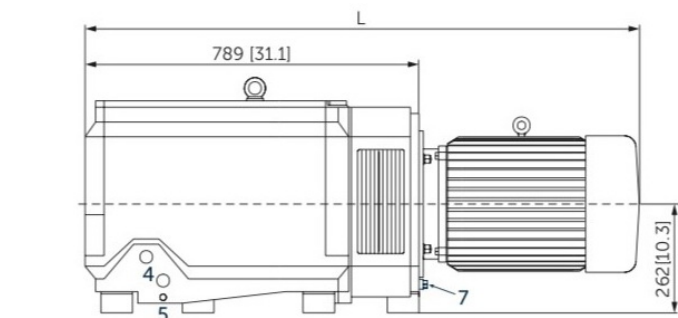




Model: **U 4.630**

SPECIFICATIONS	U 4.630 SAK	U 4.630 F/K
Volume flow 50 Hz	624 m ³ /h	624 m ³ /h
Vacuum absolute 50 Hz	3 mbar	0.5 mbar
Power 50 Hz	15 kW	15 kW
Noise Level 50 Hz	80 dB(A)	80 dB(A)
Volume flow 60 Hz	732 m ³ /h	732 m ³ /h
Vacuum absolute 60 Hz	3 mbar	0.5 mbar
Power 60 Hz	18 kW	13.2 kW
Noise Level 60 Hz	83 dB(A)	83 dB(A)
Weight	370 kg without motor	370 kg without motor



- 1 Vacuum connection (G3)
- 2 Exhaust air connection (G4)
- 3 Oil filler cap
- 4 Oil sight glass
- 5 Screw plug for oil drain
- 6 Rubber buffer position
- 7 PT100
- incl. non-return valve and oil separator
- The motor illustration may vary
- Dimensions in mm [inch]